

24.95^{+0.00}_{-0.15}

Φ0.20[X]

17.60^{+0.20}_{-0.00}

21.40 Max.

20.00

Φ0.20[Y]

3.00^{+0.00}_{-0.10}

MATING POST LENGTH±0.1

13.45^{+0.00}_{-0.10}

9.00

P=2.00

3.00±0.05

18.00

LEAD LENGTH±0.3

CONNECTOR ASSEMBLY EXEMPLARY LOADED

CODE	KEY DIMENSION		
	MATING POST LENGTH	LEAD LENGTH	
01	5.20	3.70	
02	6.70	3.70	
03	8.20	3.70	
04	5.20	4.50	
05	6.70	4.50	
06	8.20	4.50	
07	5.20	13.00	
08	6.70	13.00	
09	8.20	13.00	
10	5.20	14.50	
11	6.70	14.50	
12	8.20	14.50	
13	5.20	16.00	
14	6.70	16.00	
15	8.20	16.00	

CONTACT DIMENSIONS

SPECIFICATION
 MATERIAL
 Insulator: Thermal Plastic UL94V-0
 Contacts: Copper Alloy
 CONTACT PLATING
 Underplate: 50u" Nickel
 Contact area: 5u" or 30u" Selective gold
 Solder Tails Area: 100u" Tin/Lead Free (Brighten Tin/Matte Tin)
 ELECTRICAL
 Operation voltage: 500 VAC max.
 Current rating: 1 Amps max.
 Contact resistance: 20 mohms max.
 Insulation resistance: 10000 Mohms min
 Dielectric withstanding voltage: 1000 VAC / minute
 Operating temperature: -55°C TO +125°C
 Part no.

610 G X XXX M X F1 C A 4
 1 2 3 4 5 6 7 8 9 10

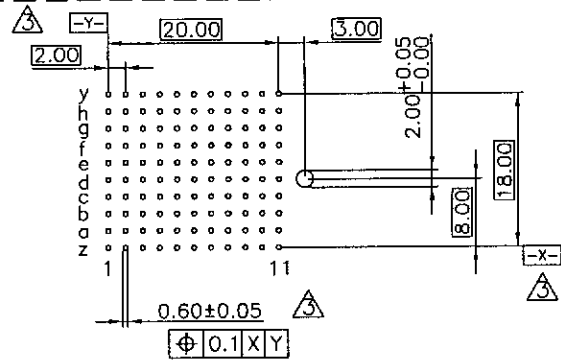
- 1. SERIES NO:
610=(2.0mm)Compact PCI
- 2. CONTACT TAIL TYPE :
G=PRESS FIT TYPE
- 3. ENVIRONMENT PROTECTION MATERIAL.
J=SONY SS-00259(Reserved)
K=SONY SS-00259(Matte Tin) (Reserved)
E=RoHS
F=RoHS (Matte Tin)
- 4. CONTACT NUMBER:
110 = 110 PIN
- 5. CONTACT TYPE:
M=MALE
- 6. CONTACT AREA PLATING:
A=5u" Gold (Selective)
D=30u" Gold (Selective)
- 7. TYPE:
F1=F TYPE(STANDARD)
- 8. CONTACT LENGTH
A = LENGTH ALL THE SAME & FULL PINS
B~Z=DIFFERENT PIN LENGTH
- 9. CONTACT LAYOUT NUM.
A~Z
- 10. INSULATOR COLOR:
4=GREY



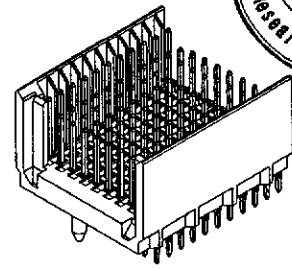
CONTACT LAYOUT NO. = A

y	03	03	03	03	03	03	03	03	03	03	03	03	03	03	03	03	03	03	03	03
h	02	02	02	02	02	02	02	02	02	02	02	02	02	02	02	02	02	02	02	02
g	02	02	02	02	02	02	02	02	02	02	02	02	02	02	02	02	02	02	02	02
f	02	02	02	02	02	02	02	02	02	02	02	02	02	02	02	02	02	02	02	02
e	02	02	03	02	02	02	02	02	02	02	02	02	02	02	02	02	02	02	02	02
d	02	03	03	02	02	02	02	02	02	02	02	02	02	02	02	02	02	02	02	02
c	02	03	03	02	02	02	02	02	02	02	02	02	02	02	02	02	02	02	02	02
b	02	03	03	02	02	02	02	02	02	02	02	02	02	02	02	02	02	02	02	02
a	01	02	02	02	02	02	02	02	02	02	02	02	02	02	02	02	02	02	02	02
z	03	03	03	03	03	03	03	03	03	03	03	03	03	03	03	03	03	03	03	03

LOADING PATTERN MATING SIDE



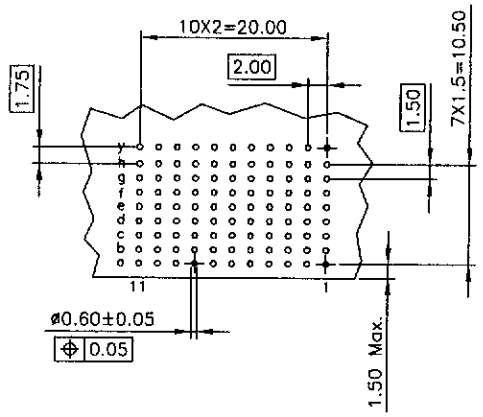
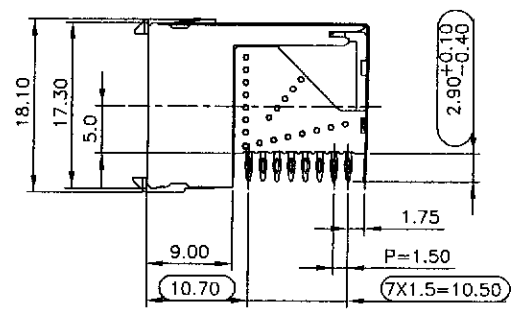
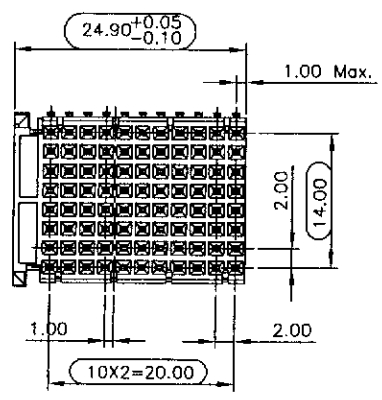
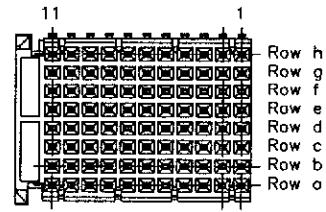
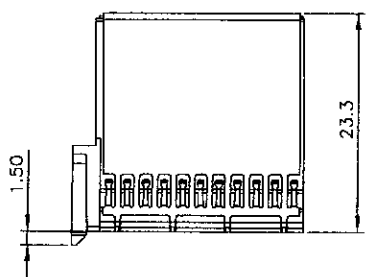
RECOMMENDED PCB-HOLE LAYOUT COMPONENT SIDE SHOWN TOLERANCES: ±0.05mm



CONNECTOR ASSEMBLY EXEMPLARY LOADED

UNLESS OTHERWISE SPECIFIED TOLERANCE		 CHANT SINCERE CO., LTD TEL:886-02-6421251 FAX:886-02-6421962
ANG.	±5°	
0.	±0.5	
.0	±0.3	
.00	±0.2	
SCALE: AS SHOWN	UNIT: mm	
DRAWN TERRY	05/16/06	DRAWN NAME: 2mm Hard Metric Connector Vertical, Male, Type F(8+2)
CHECKED James	05/16/06	PRODUCT NO. 610GX110MXF1CA4
APPROVED [Signature]	05/16/06	FILE NAME: 610GK110MXF1CA4
SIZE A4	REV. D	

REV.	DESCRIPTION	DATE	REV.	DESCRIPTION	DATE
C	ECN-0604139(Terry) (4,F)(4,D)	04/25/06			
B	ECN-0604030(James) (5,G)(9,E)	04/17/06			
A	ECN-0512121(Brian)	12/21/05	D	ECN-0605087(Terry) (1,G)(1,F)(1,E)(3,F)(2,E)(5,D)(6,B)(7,B)	05/16/06



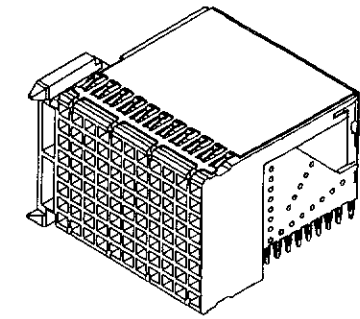
RECOMMENDED PCB LAYOUT
TOLERANCES: ±0.05mm



SPECIFICATION
MATERIAL
 Insulator: Thermal Plastic UL94V-0
 Contacts: Copper Alloy
CONTACT PLATING
 Underplate: 50u" Nickel
 Contact area: 5u" or 30u" Selective gold
 Solder Tails Area: 100u" Tin/Lead Free (Brighten Tin/Matte Tin)
ELECTRICAL
 Operation voltage: 500 VAC max.
 Current rating: 1 Amps max.
 Contact resistance: 20 mohms max.
 Insulation resistance: 10000 Mohms min
 Dielectric withstanding voltage: 1000 VAC / minute
 Operating temperature: -55°C TO +125°C
 Part no.

610 G X XXX F X F1 A A 4
 1 2 3 4 5 6 7 8 9 10

- SERIES NO:
610=(2.0mm)Compact PCI
- CONTACT TAIL TYPE :
G=PRESS FIT TYPE
- ENVIRONMENT PROTECTION MATERIAL.
J=SONY SS-00259(Reserved)
K=SONY SS-00259(Matte Tin) (Reserved)
E=RoHS
F=RoHS (Matte Tin)
- CONTACT NUMBER:
088 = 8 ROW X 11 COLUMN
- CONTACT TYPE:
F=FEMALE
- CONTACT AREA PLATING:
A=5u" Gold (Selective)
D=30u" Gold (Selective)
- TYPE:
F1=F TYPE(STANDARD) (W/ TOP SHELL)
- CONTACT LAYOUT NUM.
A=FULL PIN(STANDARD)
- FILL IT WITH "A"
- INSULATOR COLOR:
4=GREY



UNLESS OTHERWISE SPECIFIED TOLERANCE	
ANG.	±5'
0.	±0.5
.0	±0.3
.00	±0.2

OXOC
CHANT SINCERE CO., LTD
 TEL:886-02-6421251 FAX:886-02-6421962

SCALE:	AS SHOWN	UNIT:	mm	DRAWN NAME:	TERRY	DATE:	04/17/06	DRAWN NAME:	2mm Hard Metric Connector
CHECKED:	Jpe	DATE:	04/18/06	R/A Female, Type F(8+2)				PRODUCT NO.:	610GX088FXF1AA4
APPROVED:	[Signature]	DATE:	12/21/05	FILE NAME:					610GK088FXF1AA4
REV.		DESCRIPTION		DATE		SIZE	A4	REV.	B